

Multi Switch ATS

1:1 16 A - 30 A



Plug & Play
installation



HIGHLIGHTS

- Redundant power supply
- Load protection
- Versatile to use

Riello UPS Multi Switch ATS is a high availability intelligent switch that provides redundant power to connected equipment with two AC input sources. Multi Switch ATS supplies power to the connected loads from a primary mains source. If that primary source becomes unavailable, Multi Switch ATS automatically transfers loads to the secondary source. The transfer time from one source according to the ITI (CBEMA) chart does not impact the operation of the connected equipment as the switching occurs safely between the two input sources regardless of any phase differences. Multi Switch ATS monitors the current and provides warnings when power consumption draws near the maximum rating which helps prevent downtime to the equipment. Multi Switch ATS 16 A has 8 IEC 10 A and 1 IEC 16 A outputs, whilst Multi Switch ATS 30 A has 4 IEC 10 A, 1 IEC 16 A outputs and a terminal board allowing several devices to be plugged directly into the ATS without the need for an additional PDU. The units have a connectivity slot which allows for LAN connection and remote management through PowerShield³ software, Web

interface, SNMP, or SSH which makes the Multi Switch ATS an ideal device for the IT manager who needs flexibility and protection or their IT equipment. Multi Switch ATS provides installations with power supply continuity. Its operating principle ensures higher reliability than a single UPS, (with or without its own internal bypass).

Operating principle

Multi Switch ATS provides direct distribution of eight 10 A IEC outputs or one 16 A IEC output in the 16 A model, four 10 A IEC outputs one 16 A IEC output or a terminal board in the 30 A model in a system with two input power lines (two mains inputs, or two UPS).

Multi Switch ATS is able to connect to either of the two input power lines, whilst simultaneously monitoring the power uptake.

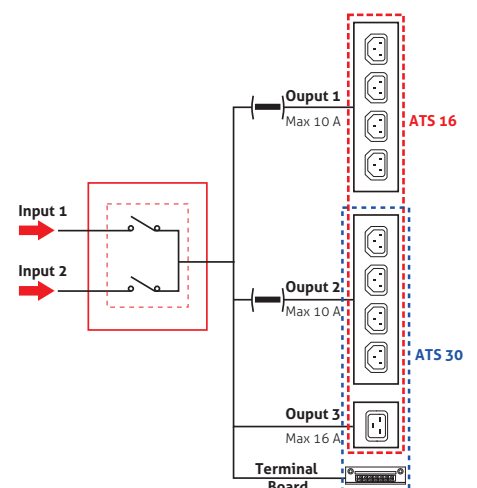
Protection against load faults

If one of the loads fails (e.g. short circuit), the Multi Switch ATS disconnects the group of sockets where the load is connected, thus preventing other loads from being switched off (i.e. in the event of poor discrimination of the protection devices).

Protection against power supply faults

If one of the two power sources falls outside tolerance levels, Multi Switch ATS will transfer the load to the second powersource (switching is instantaneous if the two sources are in phase).

Multi Switch ATS units switch power with no impact to IT equipment. Depending on the ITI Curve, typical power supplies will operate 20 ms after AC voltage drops to zero. The IEEE 1100-1999 standard also references the ITI curve. The SSI (Server System Infrastructure) standard recommends a hold-up time for power supplies to be a minimum of 21 ms for a voltage range of 100-240 V. Multi Switch ATS units switch sources under these industry standard times. The switching time includes the time for the built-in intelligence to determine whether the voltage and frequency are in range. Any point of failure in the electronics does not cause a drop out of the output voltage because the unit incorporates redundancy of its electronic circuitry to avoid fault tolerance.

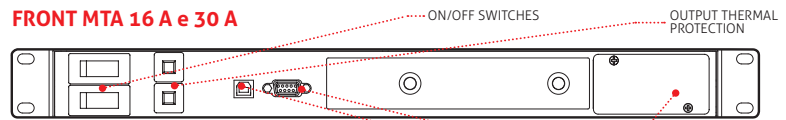


Features

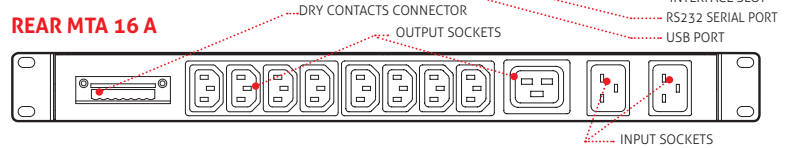
- Full protection for loads against mains and load failures
- Redundant power supply
- Versatile to use: Multi Switch ATS can be powered with 2 different power supplies (including 2 UPS of different sizes/types)
- 19" cabinet installation
- Display panel
- Can be connected to PowerNetGuard supervision software
- No signal connection between the Multi Switch ATS and the power sources or loads is necessary
- Compatible with PowerShield³ software
- Slot for communications boards: the optional network card allows for remote in network connectivity, and management through HTTP, SNMP, and SSH protocol.

DETAILS

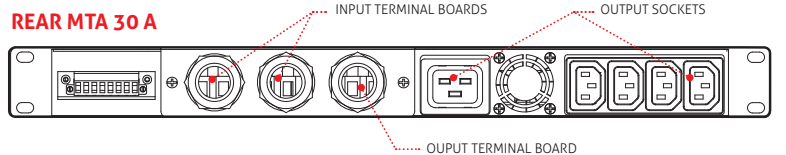
FRONT MTA 16 A e 30 A



REAR MTA 16 A



REAR MTA 30 A



OPTIONS

SOFTWARE

PowerShield³

ACCESSORIES

NETMAN 204

MULTICOM 302

MULTICOM 352

MODELS	MTA 16	MTA 30
NOMINAL CURRENT (A)	16	30
INPUT	230 Vac single-phase + N	
Nominal voltage - sources S1/S2	180-276 Vac (selectable)	
Voltage tolerance	180-276 Vac (selectable)	180-264 Vac (selectable)
Switched input phases	ph+N (two poles)	
Nominal frequency	50/60 Hz	
Input sockets	2 IEC 320 (16 A)	Terminal boards
OPERATING SPECIFICATIONS	"Break Before Make" (no overlapping sources)	
Transfer type	< 8 msec (S1/S2 synchronised) 20 msec (S1/S2 non synchronised)	
Transfer time following source failure		
OUTPUT	choice of one of the two input power sources	
Nominal voltage	10 A on IEC-320 C13 - 16 A on IEC-320 C19 - 30 A on Terminal board	
Max. load for each output		
Output sockets	4+4 IEC-320 C13 (10 A) + 1 IEC-320 C19 (16 A)	Terminal board or 4 IEC-320 C13 (10 A) + 1 IEC-320 C19 (16 A)
ENVIRONMENTAL SPECIFICATIONS	> 99%	
Efficiency at full load	< 35 dBA	
Noise at 1 m from front (from 0 to full load)	-10 °C up to +50 °C	
Storage temperature	0 °C - 40 °C	
Operating temperature	90% non-condensing	
Relative humidity	1000 m at nominal power (-1% power for every 100 m above 1000 m) - Max 4000 m	
Max. installation height	EN 62310-1 (safety) EN 62310-2 (electro-magnetic compatibility)	
Reference standard		
INFO FOR INSTALLATION	5	
Weight (kg)	19" x 330 x 1U	
Dimensions (WxDxH) (mm)	RAL 5004	
Colour	IP 20	
IP rating	RS232 / USB / Slot for communication interface / Relay contacts port	
Communications		

The information in this document is subject to change without notice. Riello UPS assumes no responsibility for any errors that may appear in this document. DATMTA1Y19AREN